

Care and Maintenance

Optical surfaces should only be cleaned using the optical soft cloth supplied with the scope or with a similar quality cloth. Do not apply force when cleaning. If you are not going to use the scope for a long time, please remove a battery.

Warranty

The Manufacturer provides warranty for its products against material and workmanship defects for a period of 3 years, starting from the day of purchase.

The warranty does not cover the following cases:

- the device has been modified or tampered with;
 - the device has been dropped or has marks suggesting mechanical damage;
 - the device has been tampered with by an unauthorized repairer;
- In the event that a warranty repair service is required, please contact the distributor. Any product returned under this warranty should be safely packaged to prevent damage in transit. In addition, it must be accompanied with the following items:
- Letter explaining the unit's problem.
 - Copy of the original receipt showing when and where the product was purchased.
 - Return shipping information, including return address and contact details.

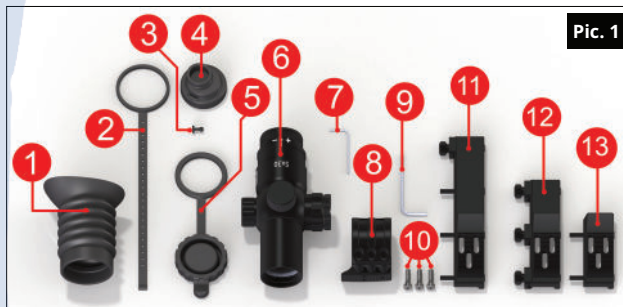
For any questions please contact our technical support by email: support@immersive-scopes.co.uk



Prismatic Rifle Scopes

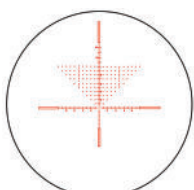
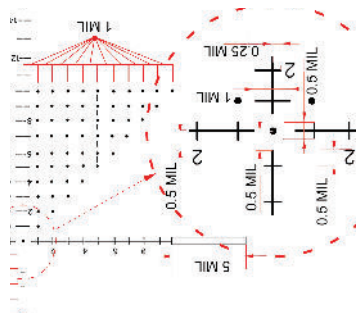
- Package Contents **1**
- Mounting the Scope **2**
- Illumination & Battery **3**
- Eye-piece & Focusing **4**
- Zeroing & Turrets **5**
- Accessories **6**
- Specifications **7**
- Reticles **8**
- Warranty & Care **9**

1 Package Contents*

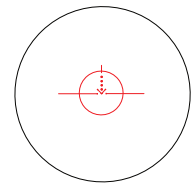
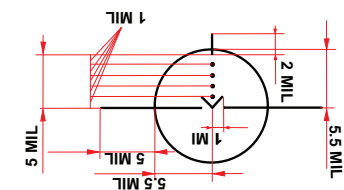


- 1. Rubber eyepiece
- 2. Retaining string**
- 3. Pin**
- 4. Eyepiece protective cap
- 5. Objective lens cover
- 6. Sight
- 7. Allen key for setting turrets to zero
- 8. Mounting ring***
- 9. Allen key for mountings***
- 10. Screws for adjusting minutes of angle (MOA) incline***
- 11. Picatinny Long rail***
- 12. Picatinny Medium rail***
- 13. Picatinny Shot rail***

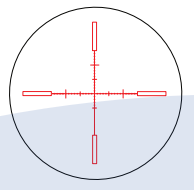
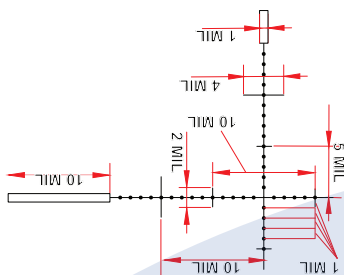
* Parts appearance can vary from model to model.
 ** Only for 5x24 and 5x30 models.
 *** Only for scopes supplied with MOA Adjustable Mount Kit.



Extended MD



MD Rapid



MD

8 Reticles

Parameter / Sight	5x24	5x30	10x24	10x40	14x50
Magnification, X	5	5	10	10	14
Objective Lens Diameter, mm	24	30	24	40	50
Eye Relief, inches / mm	1.77 / 45	1.77 / 45	0.59 / 14	0.7 / 17	0.7 / 18
Tube size, mm	34	34	30	n/a	n/a
Field of View, ft@100yds / m@100m	37 / 12	37 / 12	32 / 10.6	34 / 11.4	28 / 9.6
Minimum Focusing, m	6	6	6	6	6
Click Value (MIL / MOA / cm@100m)	0.1 / 0.338 / 1	0.1 / 0.338 / 1	0.1 / 0.338 / 1	0.1 / 0.338 / 1	0.1 / 0.338 / 1
Clicks per Revolution	50	50	50	50	50
Travel Per Rotation (MIL / MOA)	5 / 15	5 / 15	5 / 15	5 / 15	5 / 15
Max Elevation Adjustment (MIL / MOA)	28 / 83	28 / 83	28 / 83	28 / 83	28 / 83
Max Windage Adjustment (MIL / MOA)	28 / 83	28 / 83	28 / 83	28 / 83	28 / 83
Sight dimensions, mm	72 x 53 x 130	72 x 53 x 130	72 x 51 x 122	80 x 60 x 135	80 x 64 x 154
Sight dimensions, in	2.8 x 2.1 x 5.1	2.8 x 2.1 x 5.1	2.8 x 2 x 4.8	3.1 x 2.4 x 5.3	3.1 x 2.5 x 6.1
Weight (without mounts) oz / gr	10.7 / 304	11.8 / 336	8.74 / 248	N/A	N/A
Weight (with MOA adj. mounts) oz / gr	15.3 / 434	15.8 / 450	13 / 370	17.1 / 485	19.5 / 554
Waterproof and Nitrogen filled	YES	YES	YES	YES	YES
Shock Proof (up to 600G)	YES	YES	N/A	N/A	N/A

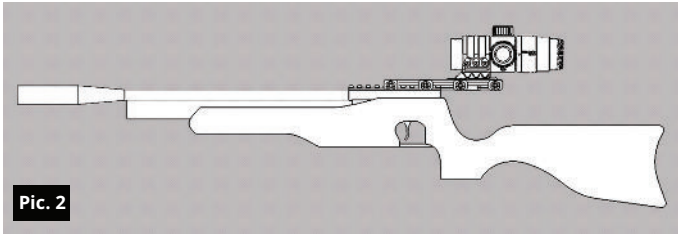
2 Mounting the Scope

Immersive scopes can be supplied with a set of MOA adjustable mounts (Pic. 1 Pos. 8-13), or without. The body diameter of the scope is 30mm, 34mm or 42mm; therefore, only ring mounts of a suitable diameter can be used depending on the scope. In most cases, using a single ring mount is sufficient. But if there is sufficient space, two rings can be fitted for extra security. Do not use excessive force when tightening the screws as this can damage the scope.

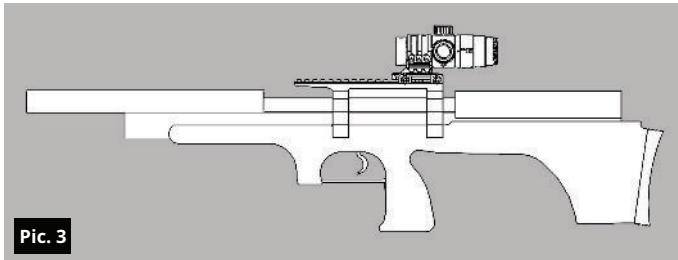
Mounting with Included MOA Mounts

The MOA adjustable mounts supplied with the scope allow the user to preset the incline on the scope. This feature enables the user to avoid a rather common problem - running out of adjustment space when dialing for elevation.

The set comes with three types of rails - see pic 1 (pos. 11, 12, 13) for reference. This allows the user to mount the scope on a variety of rifles, from a full-length sporter (Pic. 2) to a short bullpup (Pic. 3).



Pic. 2



Pic. 3

The scope comes with a pre-installed medium length rail, which is set at "0" MOA. To install another rail:

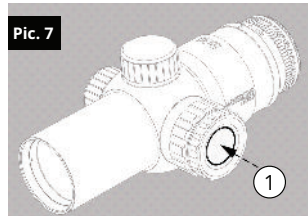
- Undo the three screws (Pic. 4, pos 1), remove the rail and replace it with the desired rail.
- Once completed, lock the screws back in to place.

To adjust the MOA:

- loosen the three screws (Pic. 4, pos 1) just enough to allow for the scope to be lifted and repositioned (pic 4, pos 2, 3).
- Once you have your desired MOA, tighten the three screws back in to place.

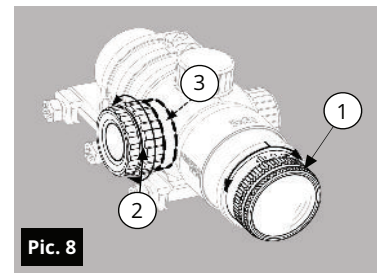
Illumination.

To activate the reticle illumination function, press the illumination button (Pic. 7, pos 1). The illumination level can be adjusted by repeatedly pressing the button. Please note, the illumination level cycles up until the highest level is reached, and then drops back down to the lowest level. To switch the illumination function off, press and hold the illumination button for 3 seconds.



Pic. 7

4 Eyepiece & Focusing



Pic. 8

Adjusting the eyepiece.

Aim the scope at a well-lit background and turn the eyepiece (Pic. 8, pos 1) left or right until the aiming mark is sharpest.

Focusing.

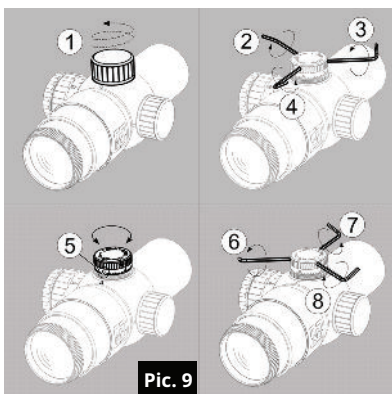
Turn the focusing knob (Pic. 8, pos 2) to focus on the target.

Calibrating the focusing knob.

Your scope comes with a set of distance stickers which, when attached to the focusing knob, allow the user to estimate the distance to the target. Focus the scope on a target of known

distance to calibrate the focusing knob. Once this has been achieved, cut and place the corresponding distance number onto the side of the focusing knob (Pic. 8 pos 3).

5 Zeroing & Turrets



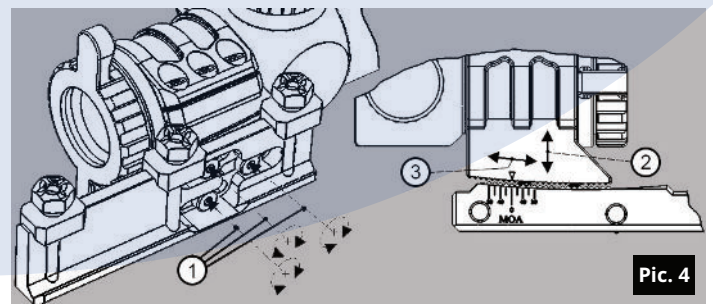
Pic. 9

Zeroing the scope.

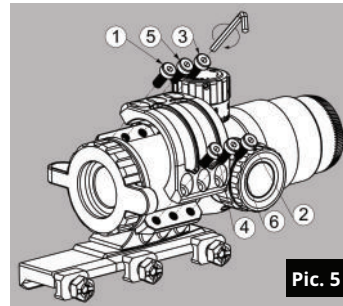
This needs to be done in a safe environment. Unscrew the protective caps from both turrets (Pic.9 pos 1). Set the target at the distance you want your scope to be zeroed in on. Take a shot, and by operating the elevation and windage turrets, bring the crosshair precisely into the point of impact.

Setting turrets to zero.

After the scope is zeroed, both turrets need to be set to zero. Loosen the three grub screws (Pic 9, pos 2, 3, 4) until the turret is disengaged and can be freely rotated. Turn the turret until the "0" mark aligns with the mark on the body (Pic. 9 pos 5) and then tighten the three grub screws (Pic 9, pos 6, 7, 8).



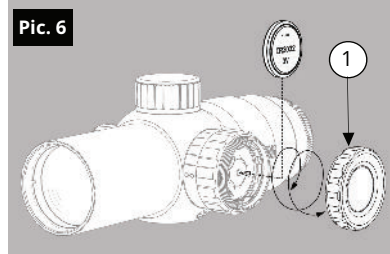
Pic. 4



Pic. 5

When tightening the ring mounting screws, please do so in the same order as in Pic 5. The screws will need to be tightened in sequential order, with the order being repeated until the scope is securely fastened. Do not use excessive force when tightening the screws as this can damage the scope.

3 Illumination & Battery

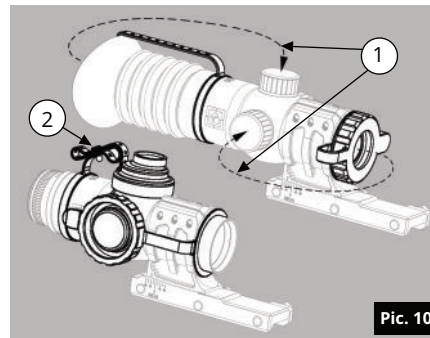


Pic. 6

Battery installation

- Unscrew the battery container cover (Pic. 6, pos 1).
- Insert a CR2032 battery into the container, remembering to observe the polarity of the battery ("+" side facing out), and screw the battery container cover back on.

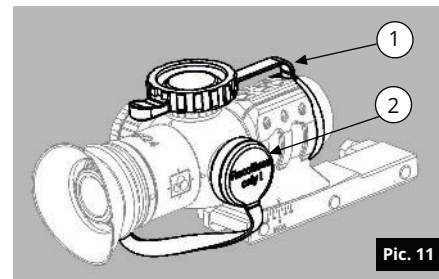
6 Accessories



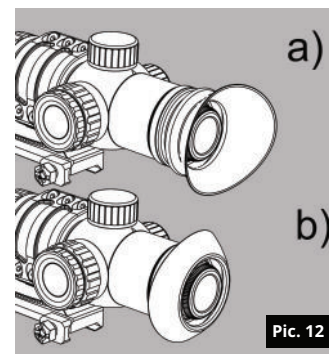
Pic. 10

Your sight is equipped with rubber protective caps for an eyepiece and for a objective lens. When the scope is in use, the caps can be attached to turrets, as indicated in Pic.10 pos 1&2 (for 5x30 & 5x24 models) and Pic.11 pos 1&2 (for 10x24 model).

If the rubber eyepiece on the 5x magnification models is not in use, it's long lead can be compactly folded and pinned (Pic.10 pos 2).



Pic. 11



Pic. 12

The rubber eyepiece can be repositioned for right or left eye use (Pic. 12 pos a).

For users with spectacles, we recommend you fold back the rubber eyepiece (Pic. 12 pos b).